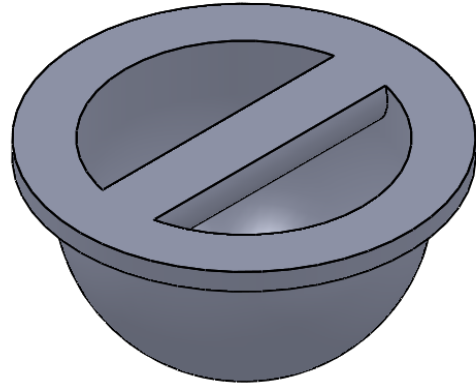
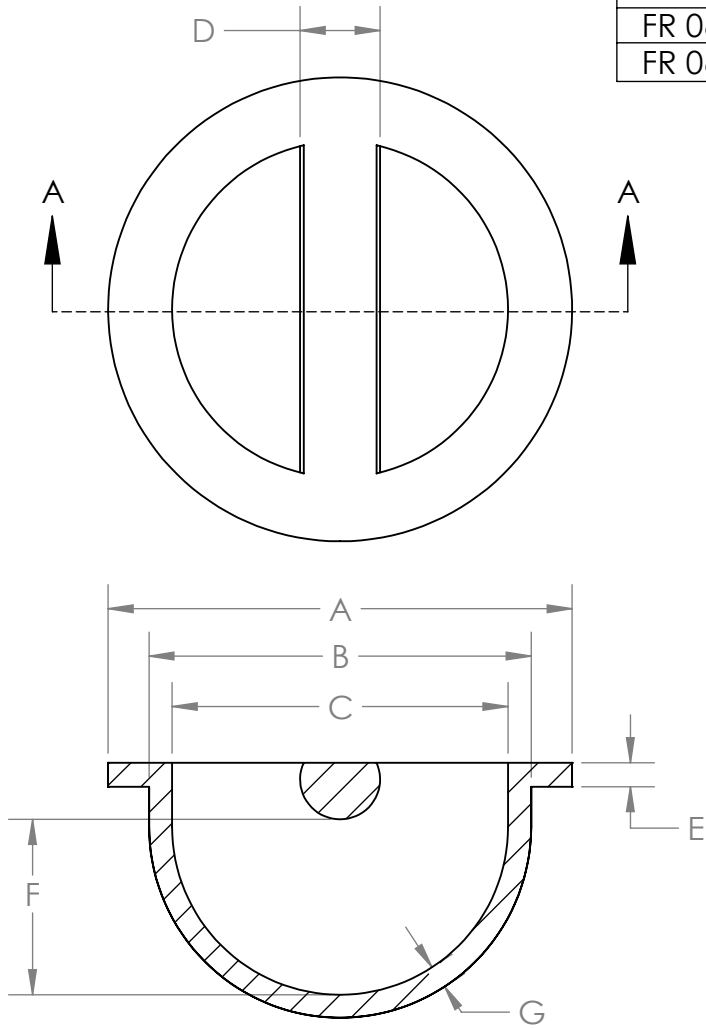


ITEM#	A	B	C	D	E	F	G	WEIGHT
FR 063.0	3.70	3.09	2.65	.63	.17	1.29	.22	.42
FR 064.0	5.30	4.44	4.19	.72	.22	.97	.25	.63



SECTION A-A

PROPRIETARY AND CONFIDENTIAL

THE INFORMATION CONTAINED IN THIS DRAWING IS THE SOLE PROPERTY OF FRASER BRONZE FOUNDRY, INC. ANY REPRODUCTION IN PART OR AS A WHOLE WITHOUT THE WRITTEN PERMISSION OF FRASER BRONZE FOUNDRY, INC. IS PROHIBITED.

		UNLESS OTHERWISE SPECIFIED:	NAME	DATE
		DIMENSIONS ARE IN INCHES	DRAWN	KJF 12/23/14
		TOLERANCES:	CHECKED	
		FRACTIONAL ±	ENG APPR.	
		ANGULAR: MACH ± BEND ±	MFG APPR.	
		TWO PLACE DECIMAL ±	Q.A.	
		THREE PLACE DECIMAL ±	COMMENTS:	
		ITEM#		
		FR 063.0 & FR 064.0		
		MATERIAL		
		A356 ALUMINUM		
		FINISH		
NEXT ASSY	USED ON			
APPLICATION		DO NOT SCALE DRAWING		

FRASER BRONZE FOUNDRY, INC

TITLE:

TIE POCKET

SIZE	DWG. NO.	REV
A	FR 063 064	

SCALE: 1:2	WEIGHT:	SHEET 1 OF 1
------------	---------	--------------