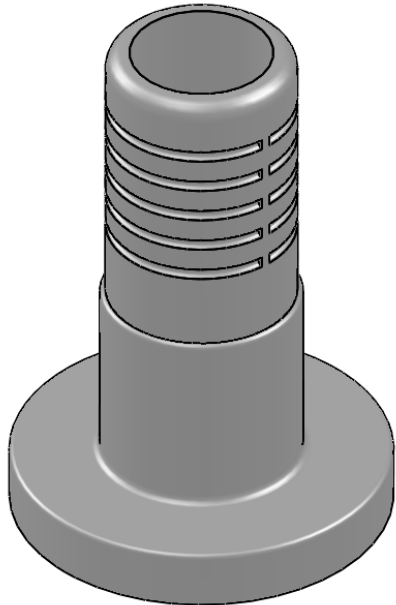
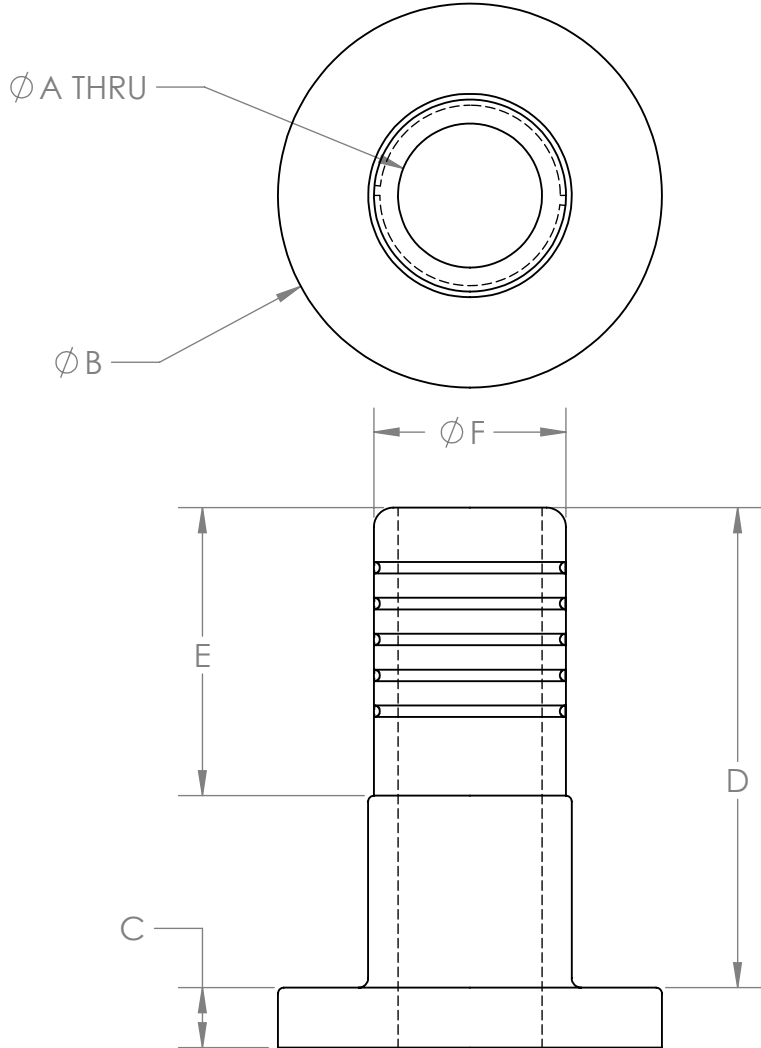


ITEM #	A	B	C	D	E	F	WEIGHT
FR062.5	.75	2.00	.31	2.50	1.50	1.03	.19
FR 062.55	1.25	2.95	.40	3.33	1.90	1.49	.38



**PROPRIETARY AND CONFIDENTIAL**

THE INFORMATION CONTAINED IN THIS DRAWING IS THE SOLE PROPERTY OF FRASER BRONZE FOUNDRY, INC. ANY REPRODUCTION IN PART OR AS A WHOLE WITHOUT THE WRITTEN PERMISSION OF FRASER BRONZE FOUNDRY, INC. IS PROHIBITED.

		UNLESS OTHERWISE SPECIFIED:	NAME	DATE
		DIMENSIONS ARE IN INCHES	DRAWN	KJF
		TOLERANCES:	CHECKED	12/23/14
		FRACTIONAL $\pm$	ENG APPR.	
		ANGULAR: MACH $\pm$ BEND $\pm$	MFG APPR.	
		TWO PLACE DECIMAL $\pm$	Q.A.	
		THREE PLACE DECIMAL $\pm$	COMMENTS:	
	ITEM#			
	MATERIAL	A356 ALUMINUM		
	FINISH			
NEXT ASSY	USED ON			
APPLICATION		DO NOT SCALE DRAWING		

FRASER BRONZE FOUNDRY, INC

TITLE:  
**THRU HULL**

SIZE DWG. NO. REV  
**A FR 062.5**

SCALE: 1:2 WEIGHT: SHEET 1 OF 1