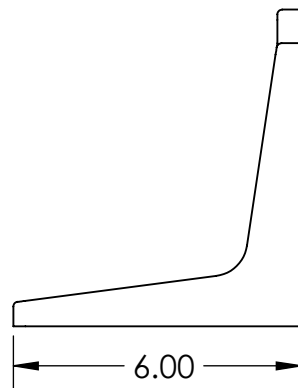
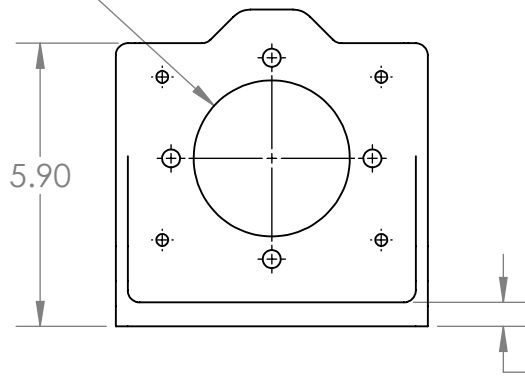


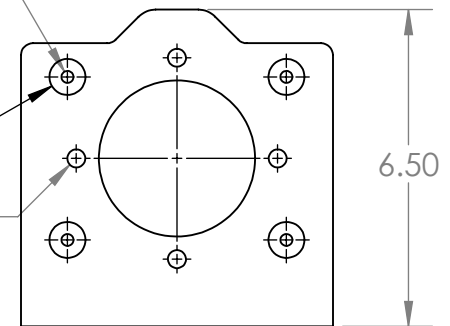
3.253 Dia.



.25-NC
Typ. 4 Pcs.

.75 Dia.

.375-NC
Typ. 4 Pcs.



PROPRIETARY AND CONFIDENTIAL

THE INFORMATION CONTAINED IN THIS DRAWING IS THE SOLE PROPERTY OF FRASER BRONZE FOUNDRY, INC. ANY REPRODUCTION IN PART OR AS A WHOLE WITHOUT THE WRITTEN PERMISSION OF FRASER BRONZE FOUNDRY, INC. IS PROHIBITED.

		UNLESS OTHERWISE SPECIFIED:		NAME	DATE	FRASER BRONZE FOUNDRY, INC	
		DIMENSIONS ARE IN INCHES TOLERANCES: FRACTIONAL ANGULAR: MACH BEND TWO PLACE DECIMAL THREE PLACE DECIMAL		DRAWN	KJF	12/23/14	TITLE:
		ITEM# FR 008.0		CHECKED			CLUTCH BRACKET V20
		MATERIAL 713 ALUMINUM		ENG APPR.			
NEXT ASSY		USED ON		MFG APPR.			SIZE DWG. NO. REV
APPLICATION		DO NOT SCALE DRAWING		Q.A.			A FR 008.0ab
				COMMENTS:			SCALE: 1:4 WEIGHT: 3.60 SHEET 1 OF 1